

**N 70, BUILT-IN COMPACT OVEN WITH
MICROWAVE FUNCTION, 60 X 45 CM, STAINLESS
STEEL
C17MR02NOB**



Included accessories

1 x combination grid, 1 x universal pan

Optional accessories

Z11AB15A0 Baking tray, non-stick ceramic coated, Z11AU15A0 Universal pan, non-stick ceramic coated, Z11GT10X3 Glass roasting dish, 5,4l, Z11GU20X0 Glasspan, Z11SZ00X0 SeamlessCombination mounting kit, Z11SZ60X0 SeamlessCombination 45 + 14cm, Z11SZ90X0 SeamlessCombination 60 + 45cm, Z12CB10A0 Baking tray, anthracite enamelled, Z12CM10A0 Moussaka pan, anthracite enamelled, Z12CP10A0 Pizza pan, anthracite enamelled, Z12CQ10A0 Grill tray, anthracite enamelled, Z12CU10A0 Multipurpose pan, anthracite enamelled, Z13CR10X0 Baking and roasting grid (steam), Z13CV05S0 Cover Strip, Z13CV06S0 Decor strip, Z14CR10X0 Baking and roasting grid (microwave), Z1913X0 Baking Stone

Compact built-in oven with integral microwave - even more ways to cook quickly and conveniently in a very small space

- ✓ CircoTherm® – Smart hot-air solution that lets you bake on up to four levels.
- ✓ Combined microwave and oven - the convenient solution to save space and time
- ✓ Shift Control - fast navigation through menus and simple operation with the TFT display.
- ✓ LED lights - Bright illumination exactly where you need it.

Features

Technical Data

Type of micro-wave oven: MW-Combi
 Type of control: Electronic
 Color / Material Front: Stainless steel
 Dimensions: 455 x 596 x 548 mm
 Cavity dimensions: 237.0 x 480 x 392.0 mm
 Length of electrical supply cord: 150.0 cm
 Net weight: 35.3 kg
 Gross weight: 37.6 kg
 EAN code: 4242004182177
 Maximum micro-wave power: 900 W
 Connection rating: 3600 W
 Fuse protection: 16 A
 Voltage: 220-240 V
 Frequency: 60; 50 Hz
 Plug type: no plug
 (electrical connection by electrician)
 Included accessories: 1 x combination grid, 1 x universal pan



*N 70, BUILT-IN COMPACT OVEN WITH
MICROWAVE FUNCTION, 60 X 45 CM, STAINLESS
STEEL
C17MR02NOB*

Features

Design

- 2.5" TFT colour display
- Illuminated Shift Control
- Drop down door, SoftClose, soft opening
- Bar handle
- 3 shelf positions
- Cavity inner surface: enamel anthracite
- We recommend you to choose complementary products within N70, in order to assure an optimal design combination of your Built-In appliances.

550 mm

- Please refer to the dimensions provided in the installation manual

Features

- Intelligent microwave inverter technology: For optimised results maximum output power will be regulated to 600 W when used in longer operation for gentler cooking.
- Control panel lock
- Automatic safety switch off
- Residual heat indicator
- Start button
- Door contact switch
- Temperature proposal
- Actual temperature display
- Heating up indicator
- automatic programmes:
- Automatic programmes
- LED light, On/off button
- Cooling fan

Programmes/functions

- Compact oven with microwave with Multifunction oven with 6 cooking functions: heating methods: CircoTherm®, CircoTherm® Gentle, Circo-roasting, Full surface grill, Centre surface grill, Plate warming
- Number of automatic programmes: 14 PC
- Additional heating methods with microwave: Microwave, Combi microwave constant
- Max. Power: 900 W; 5 Microwave power settings (90 W, 180 W, 360 W, 600 W, 900 W)
- Rapid heat

Accessories

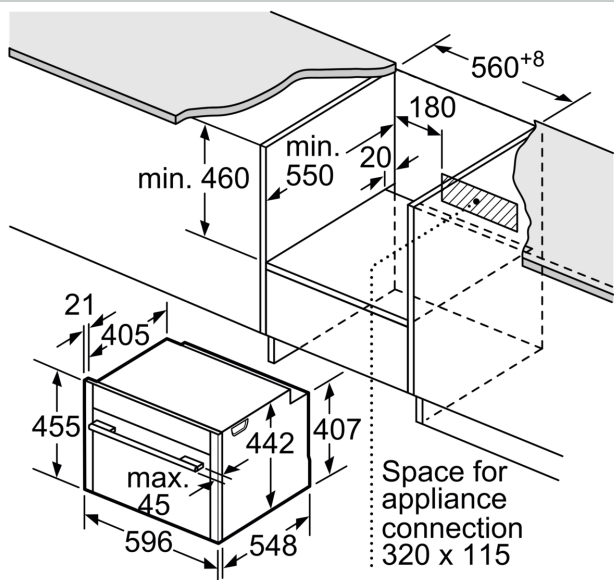
- 1 x universal pan, 1 x combination grid

Performance/technical information

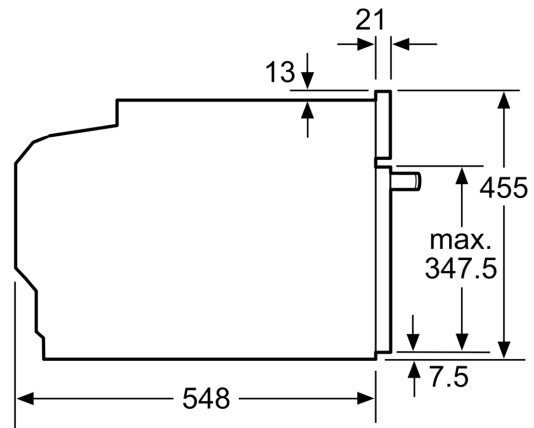
- Cavity volume: 45 litre
- Temperature range 30 °C - 275 °C
- Power cord length 150 cm Cable length
- Nominal voltage: 220 - 240 V
- Total connected load electric: 3.6 KW
- Appliance dimension (hxxxd): 455 mm x 596 mm x 548 mm
- Niche dimension (hxxxd): 450 mm - 455 mm x 560 mm - 568 mm x

N 70, BUILT-IN COMPACT OVEN WITH
MICROWAVE FUNCTION, 60 X 45 CM, STAINLESS
STEEL
C17MR02NOB

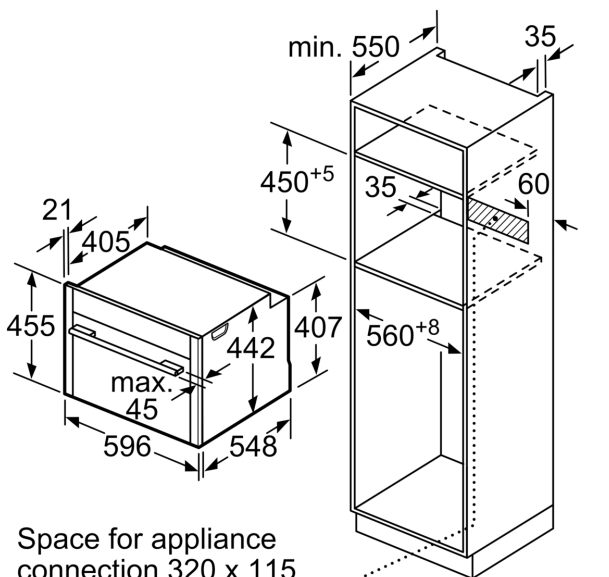
Dimensioned drawings



measurements in mm

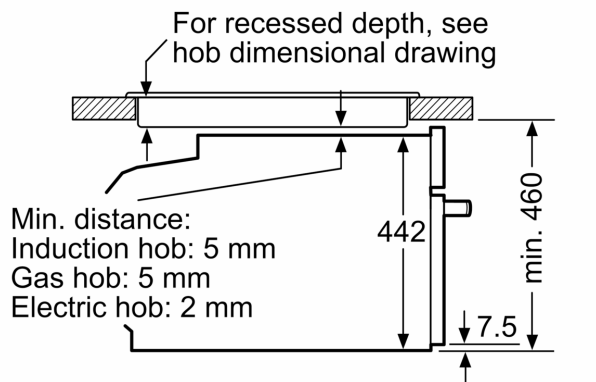


measurements in mm



measurements in mm

Installation with a hob.



measurements in mm

Dimensioned drawings

If the compact appliance will be installed underneath a hob, the following worktop thicknesses (including substructure if necessary) must be taken into account.

Hob type	min. worktop thickness	
	fitted	flush
Induction hob	42 mm	43 mm
Full surface Induction hob	52 mm	53 mm
Gas hob	32 mm	43 mm
Electric hob	32 mm	35 mm