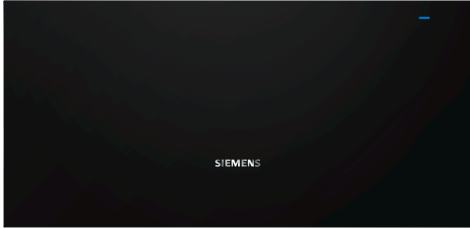


**iQ700, Built-in warming drawer,  
60 x 29 cm, Black  
BI630DNS1B**



- ✓ push&pull – No-handle drawer that’s easy to open and close.
- ✓ The heated sheet admits a regulation in four temperature levels from 30°-80°C glass surface temperature

### Features

#### Technical Data

Design: ..... Built-in  
 Capacity (in number of plates): ..... 40  
 Maximum number of espresso cups: ..... 192  
 Dimensions: ..... 290 x 594 x 548 mm  
 Dimensions of the packed product (HxWxD): ... 350 x 640 x 660 mm  
 Min. required niche size for installation (HxWxD): .. 290 x 560 x 550 mm  
 EAN code: ..... 4242003676639  
 Fuse protection: ..... 10 A  
 Nominal power: ..... 220-240 V  
 Frequency: ..... 60; 50 Hz  
 Plug type: ..... GB plug



| Optional accessories |          |
|----------------------|----------|
| HZ6WCC0              | Cookbook |

## iQ700, Built-in warming drawer, 60 x 29 cm, Black BI630DNS1B

### Features

#### Design

- Easy to clean toughened glass heating plate
- Stainless steel control dial
- Handleless push-pull opening mechanism
- Can accommodate up to:
  - -40plates
  - -192 espresso cups
- Temperature control in 4 levels: ca. 30°C - 80°C (glass surface temperature)

#### Programmes/functions

- 5 functions: dough proving thawing of delicate foods keeping drinks and food warm pre-warming of crockery gentle cooking

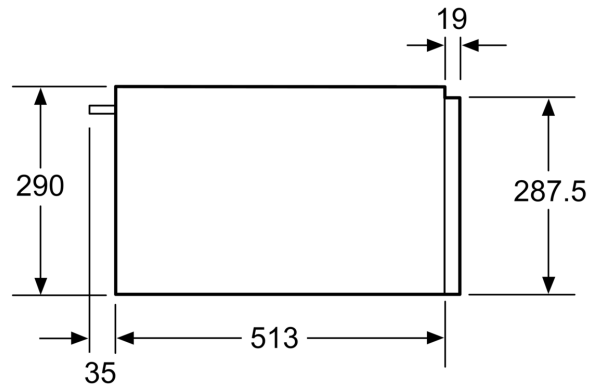
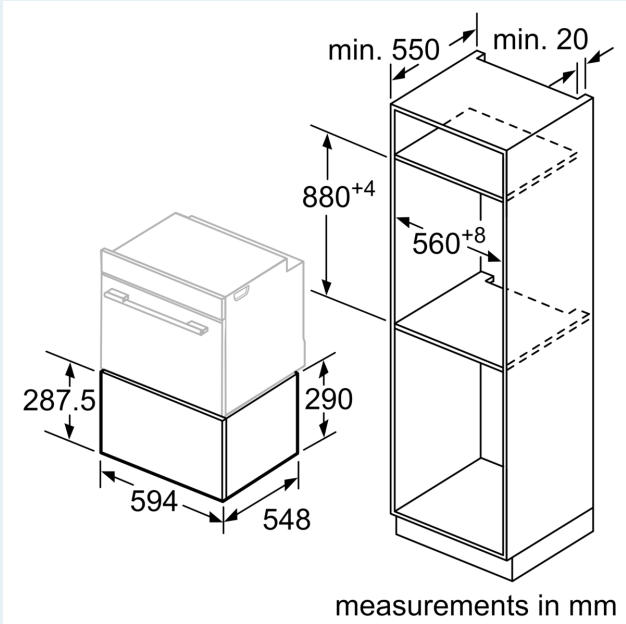
#### Performance/technical information

##### Technical information

- Cavity volume: 52 l
- Loading up to 25 kg
- Total connected load electric: 0.81 KW
- Power cord length 150 cm Cable length
- Nominal voltage: 220 - 240 V
- Appliance dimension (hxwxd): 290 mm x 594 mm x 548 mm
- Niche dimension (hxwxd): 290 mm x 560 mm - 568 mm x 550 mm
- Please refer to the dimensions provided in the installation manual

**iQ700, Built-in warming drawer,  
60 x 29 cm, Black  
BI630DNS1B**

Dimensioned drawings



Ovens with an appliance height of 595 mm can be installed above a warming drawer. An intermediate floor is not required.