

N 70, BUILT-IN OVEN, 60 X 60 CM,
GRAPHITE-GREY
B54CR71G0B



A+

Included accessories

2 x combination grid, 1 x universal pan

Optional accessories

Z11AB15A0 Baking tray, non-stick ceramic coated, Z11AU15A0 Universal pan, non-stick ceramic coated, Z11CG10X1 AirFry & Grill Set, Z11CR10X0 Baking and roasting grid (standard), Z11GT10X3 Glass roasting dish, 5,4l, Z11GU20X0 Glasspan, Z11SZ00X0 SeamlessCombination mounting kit, Z11SZ80G0 SeamlessCombination 60 + 29cm, Z11SZ90G0 SeamlessCombination 60 + 45cm, Z12CB10A0 Baking tray, anthracite enamelled, Z12CL10A0 Lid for professional pan, enamelled anth, Z12CM10A0 Moussaka pan, anthracite enamelled, Z12CN10A0 Professional pan, anthracite enamelled, Z12CP10A0 Pizza pan, anthracite enamelled, Z12CU10A0 Multipurpose pan, anthracite enamelled, Z13CR10X0 Baking and roasting grid (steam), Z13CV06S0 Decor strip, Z1608CX0 Full ext rails, level independent, pyro, Z1650BE0 Half tray, Z1655CA0 Air Fry & Grill tray, anthracite, Z1913X0 Baking Stone, Z19DD10X0 Steam set for ovens

Built-in oven with Slide & Hide® - an easy to handle door that gently disappears under the oven. Home Connect - control your oven via the App.

- ✓ 3,7" Full Touch TFT Display - Intuitive navigation for easy use and complete control.
- ✓ Slide & Hide® - An easy to handle door that disappears under the oven for unrestricted access.
- ✓ Circo Therm® - smart hot-air solution that lets you bake on up to three levels at once.
- ✓ Pyrolytic Self-Cleaning with Easy Clean - the duo for optimal cleaning: pyrolytic after heavy use and Easy Clean for in between
- ✓ Soft Open - Self-regulating doors for a quiet oven.

Features

Technical Data

Construction type: Built-in
 Integrated Cleaning system: Pyrolytic+Hydrolytic
 Min. required niche size for installation (HxWxD): 585-595 x 560-568 x 550 mm
 Dimensions: 595 x 596 x 548 mm
 Dimensions of the packed product (HxWxD): . 670 x 690 x 660 mm
 Control Panel Material:Stainless steel
 Door Material: Glass
 Net weight: 40.0 kg
 Usable volume of cavity: 71 l
 Cooking method:Bottom heat, Bread Baking Setting, Circo-roasting, CircoTherm® intensive, Conventional heat gentle, Dough proving, Full width grill, Half width grill, Hot Air, Hotair gentle, Keep warm, Low temperature cooking, pre-heating, Top/bottom heat
 Oven control: electronic
 Number of interior lights: 1
 Length of electrical supply cord: 120.0 cm
 EAN code:4242004265924
 Number of cavities (2010/30/EC): 1
 Energy efficiency rating: A+
 Energy consumption per cycle conventional (2010/30/EC): 0.87 kWh/cycle
 Energy consumption per cycle forced air convection (2010/30/EC): 0.69 kWh/cycle
 Energy efficiency index (2010/30/EC):81.2 %
 Connection rating:3600 W
 Fuse protection: 16 A
 Voltage: 220-240 V
 Plug type: no plug (electrical connection by electrician)
 Included accessories:2 x combination grid, 1 x universal pan



*N 70, BUILT-IN OVEN, 60 X 60 CM,
GRAPHITE-GREY
B54CR71G0B*

Features

- Oven with 14 heating methods: CircoTherm®, Top/bottom heat, Circo-roasting, Full surface grill, Centre surface grill, CircoTherm® intensive, Bread baking, Bottom heat, Low temperature cooking, Dough proving, Plate warming, Keep warm, CircoTherm® gentle, Conventional heat gentle

Design

- Graphite-Grey Edition
- Touch control
- Cavity inner surface: enamel anthracite

Features

- HomeConnect ready on WLAN
- Oven Assistant with Voice Control
- Door lock during pyrolytic cleaning
- Control panel lock Automatic safety switch off Residual heat indicator Start button Door contact switch
- Full glass inner door

Programmes/functions

- Temperature range 40 °C - 200 °C
- LED light, On/off button
- Electronic clock timer
- Slide&Hide® with rotating handle
- SoftOpen
- Quadruple glazed door glazed CoolTouch door
- 30 °C - Very low door temperature
- Temperature proposal
- Actual temperature display Heating up indicator
- cookControl Plus
- Rapid heat
- Cooling fan
- Stainless-steel fan

Level independent telescopic rails

- 4 shelf positions
- Available as an accessory, pyrolytic proof

Cleaning

- Pyrolytic cleaning
- EasyClean

Accessories

- 2 x combination grid, 1 x universal pan

Performance/technical information

- 120 cm Cable length
- Nominal voltage: 220 - 240 V
- Total connected load electric: 3.6 KW
- Energy efficiency rating (acc. EU Nr. 65/2014): A+
- Energy consumption per cycle in conventional mode:0.87 kWh
- Energy consumption per cycle in fan-forced convection mode:0.69 kWh
- Number of cavities: Main cavity Heat source: electrical Cavity

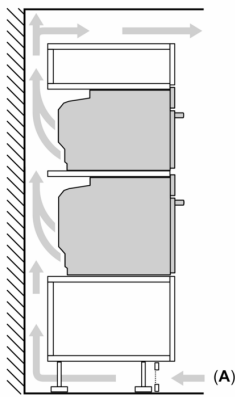
volume:71 litre

- Appliance dimension (hxwx): 595 mm x 596 mm x 548 mm
- Niche dimension (hxwx): 585 mm - 595 mm x 560 mm - 568 mm x 550 mm
- Please refer to the dimensions provided in the installation manual

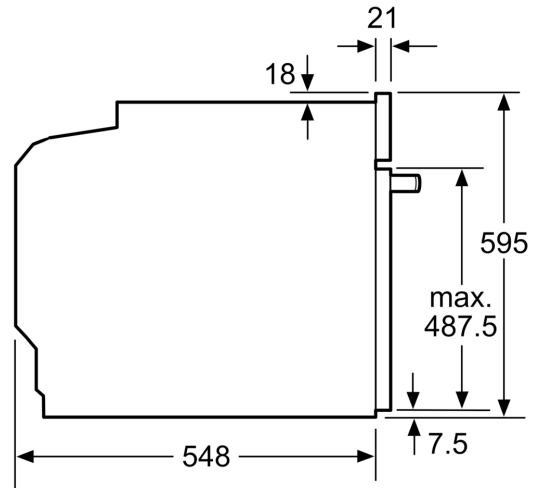
N 70, BUILT-IN OVEN, 60 X 60 CM,
 GRAPHITE-GREY
 B54CR71G0B

Dimensioned drawings

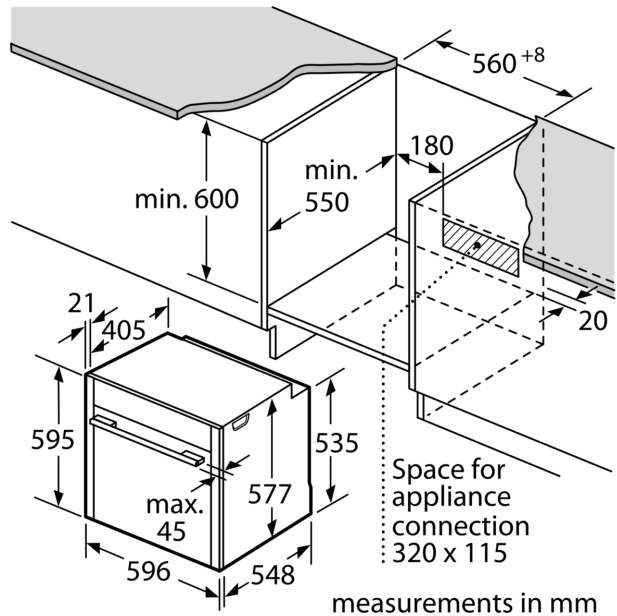
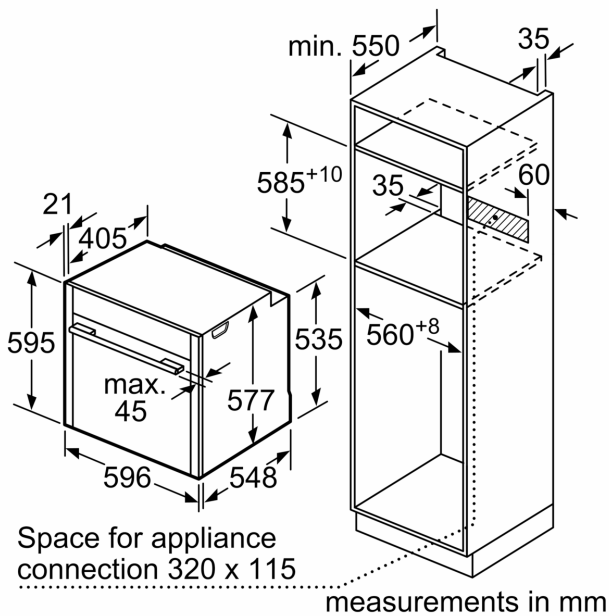
Installing two appliances on top of each other
 Air exchange



A: Air inlet $\geq 200 \text{ cm}^2$



measurements in mm



Dimensioned drawings

If the appliance will be installed underneath a hob, the following worktop thicknesses (including substructure if necessary) must be taken into account.

Hob type	min. worktop thickness	
	fitted	flush
Induction hob	37 mm	38 mm
Full surface Induction hob	47 mm	48 mm
Gas hob	30 mm	38 mm
Electric hob	27 mm	30 mm