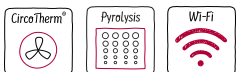


N 50, BUILT-IN OVEN, 60 X 60 CM, STAINLESS STEEL  
B2ACH7HH0B



A



Included accessories

2 x combination grid, 1 x universal pan

Optional accessories

Z11AB15A0 Baking tray, non-stick ceramic coated, Z11AU15A0 Universal pan, non-stick ceramic coated, Z11CB10E0 Baking tray, grey enamelled, Z11CR10X0 Baking and roasting grid (standard), Z11CU10E0 Multipurpose pan, grey enamelled, Z11GT10X3 Glass roasting dish, 5,4l, Z11TE25X0 2 level telescopic shelf rails, Z11TF25X0 2 level telescopic shelf rails, full ext, Z11TF36X0 3 level telescopic rails, full ext, Z11TI15X0 Cliprails, Z11TJ25X0 2 level telescopic rails incl 1VarioClip, Z11TJ35X0 3 level telescopic rails incl 1VarioClip, Z1352X0 Pizza pan, grey enamelled, Z13CR10X0 Baking and roasting grid (steam), Z13CV05S0 Cover Strip, Z1913X0 Baking Stone, Z19DD10X0 Steam set for ovens

Neff CircoTherm® - the unique hot-air system for simultaneous baking and roasting on up to 3 levels.

- ✓ CircoTherm® – Smart hot-air solution that lets you bake on up to three levels at once.
- ✓ Dual cleaning options: Pyrolytic cleaning programmes - just let the oven interior clean itself. EasyClean - the quick and easy option for day to day maintenance.
- ✓ LCD-Display – simple, straightforward with large characters for clear reading
- ✓ Home Connect – Unleash your creativity via app.
- ✓ Cliprails – Place dishes exactly where you want them in your oven.

Features

Technical Data

Construction type: ..... Built-in  
 Integrated Cleaning system: ..... Pyrolytic+Hydrolytic  
 Min. required niche size for installation (HxWxD): ..... 585-595 x 560-568 x 550 mm  
 Dimensions: ..... 595 x 594 x 548 mm  
 Dimensions of the packed product (HxWxD): . 675 x 690 x 660 mm  
 Control Panel Material: ..... Glass  
 Door Material: ..... Glass  
 Net weight: ..... 38.1 kg  
 Usable volume of cavity: ..... 71 l  
 Cooking method: ..... Bread Baking Setting, Full width grill, Hotair gentle, Hot Air, Conventional heat, Pizza setting, Bottom heat, Hot air grilling  
 First cavity material: ..... Other  
 Oven control: ..... electronic  
 Number of interior lights: ..... 1  
 Length of electrical supply cord: ..... 120.0 cm  
 EAN code: ..... 4242004245483  
 Number of cavities (2010/30/EC): ..... 1  
 Energy efficiency rating: ..... A  
 Energy consumption per cycle conventional (2010/30/EC): 0.99 kWh/cycle  
 Energy consumption per cycle forced air convection (2010/30/EC): ..... 0.81 kWh/cycle  
 Energy efficiency index (2010/30/EC): ..... 95.3 %  
 Connection rating: ..... 2990 W  
 Fuse protection: ..... 13 A  
 Voltage: ..... 220-240 V  
 Frequency: ..... 50; 60 Hz  
 Plug type: ..... no plug (electrical connection by electrician)  
 Included accessories: ..... 2 x combination grid, 1 x universal pan



*N 50, BUILT-IN OVEN, 60 X 60 CM, STAINLESS  
STEEL  
B2ACH7HHOB*

## Features

### Design

- LCD-Display Control (white)
- Elongated designed dials, Retractable control dials, Bevelled oval controls
- Bar handle
- Cavity inner surface: enamel grey
- 4 shelf positions

### Features

- HomeConnect ready on WLAN
- Door lock during pyrolytic cleaning
- Control panel lock Automatic safety switch off Residual heat indicator Door contact switch
- Temperature proposal
- Actual temperature display Heating up indicator Automatic start
- Interior halogen light, On/off button
- 1 Clip rail, Stop function

### Cleaning

- Pyrolytic cleaning
- EasyClean
- Full glass inner door

### Programmes/functions

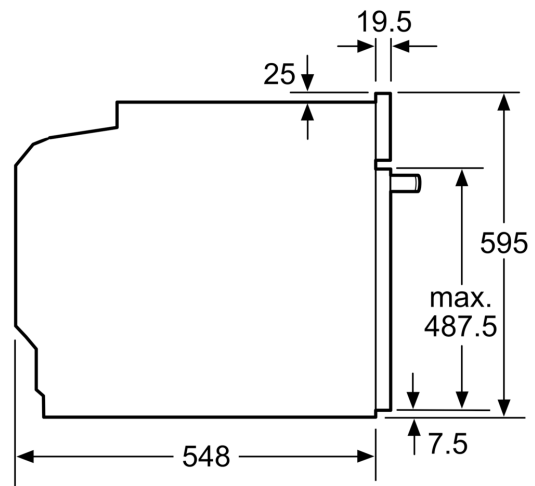
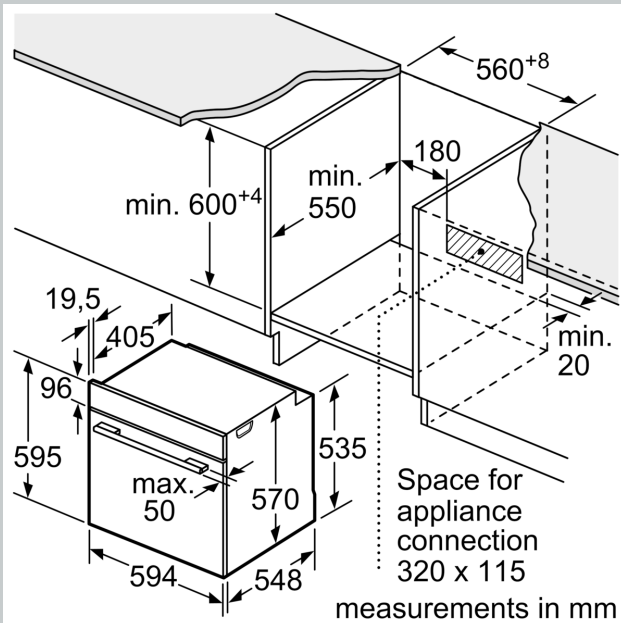
- Oven with 8 cooking functions; 8 cooking functions: heating methods: CircoTherm®, Top/bottom heat, Circo-roasting, Full surface grill, CircoTherm® intensive, Bread baking, Bottom heat, CircoTherm® gentle
- Rapid heat
- Cooling fan

### Performance/technical information

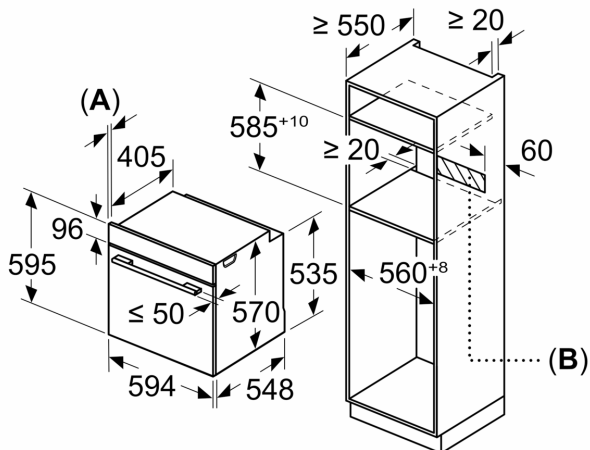
- Energy efficiency rating (acc. EU Nr. 65/2014): A
- Energy consumption per cycle in conventional mode:0.99 kWh
- Energy consumption per cycle in fan-forced convection mode:0.81 kWh
- Number of cavities: Main cavity Heat source: electrical Cavity volume:71 litre
- Total connected load electric: 2.99 KW
- 120 cm Cable length
- Nominal voltage: 220 - 240 V
- Appliance dimension (hxwx): 595 mm x 594 mm x 548 mm
- Niche dimension (hxwx): 585 mm - 595 mm x 560 mm - 568 mm x 550 mm
- Please refer to the dimensions provided in the installation manual

N 50, BUILT-IN OVEN, 60 X 60 CM, STAINLESS  
STEEL  
B2ACH7HH0B

Dimensioned drawings



Measurements in mm



**A:** 19.5 mm  
**B:** Space for appliance connection 320 x 115 mm

Installation with a hob.

