



**BLAUPUNKT**

**5WT6X00GB  
Built In Washdryer 60cm**

**Performance and size:**

- Energy Efficiency Class (Wash): D
- Energy Efficiency Class (Wash/Dry): E
- Capacity washing: 7kg
- Capacity drying: 6kg
- 53 % of moisture contained in load
- Airborne acoustical noise emissions: 73 dB (B)
- Spin speed: 1351 U/min
- Spin-drying efficiency class: B
- Weighted energy consumption in kWh per 100 washing cycles: 69 kWh / 324 kWh (Wash/Dry cycles)
- Water Consumption of the eco programme in liters per cycle: 44 l and of the full wash and dry cycle in liters per cycle: 66 l
- programme length "eco 40-60": 3:25h

**Features**

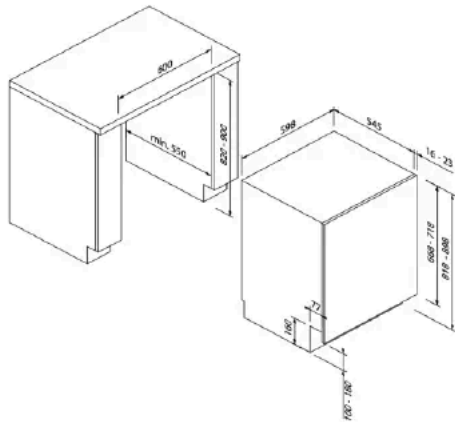
- Optimized automatic quantity control detects the amount of laundry and adjusts the washing parameters accordingly
- Extremely durable and wear-resistant Inverter-Motor
- Fiber protection through drum movements precisely matched to the selected program
- Aquastop
- Energy optimized Basic Programs: Eco 40-60°, 20C°, Cotton, Wool, Spin & Drain, Mixed
- Time optimized Programs: Wash & Dry 90', Wash & Dry 45', Rapid 30'
- Special Color Programs: White • type of installation: built in
- Wash & Dry 45': in only 45 minutes your laundry is washed and dried
- Wash & Dry 90': ready in only 90 minutes • Protection: 10 Ampere
- Rapid 30' - this cycle lasts only 30 minutes, saving time and
- Colours 15° - protect colours by washing in 15° • 1,35 kW Connecting Rating
- Steam-Option - Inhibits bad odors and creates through automatic drum movements and the addition of steam for up to 6 hours after the end of the cycle

**Dimensions H x B x T**

- Dimensions: 82,0 - 90,0 x 59,5 x 54,5 cm
- Niche dimensions: 82,0 -90,0 x 60,0 x 56,0 cm
- Dimensions (packed): 89,0 x 64,4 x 59,5 cm
- Net weight (kg): 65 kg

**Special accessories: Features:**

- Built In Washdryer
- adjustable feet: 80mm
- max.water inlet temperature: 60°
- Length of electrical supply cord: 120 cm



**Available colour variations: Consumption**

**and connection values:**

- comparative programme: Öko
- duration of comparative programme: 205 min
- water consumption of comparative programme: 44 l
- noise emission (dB(A) re 1 pW): 73
- Door hinge left / reversible

**Accessories:**

- Voltage: 220- 240 Volt
- Frequenz: 50 Hz
- Plug: Typ G



